

HI-DUMP KIT

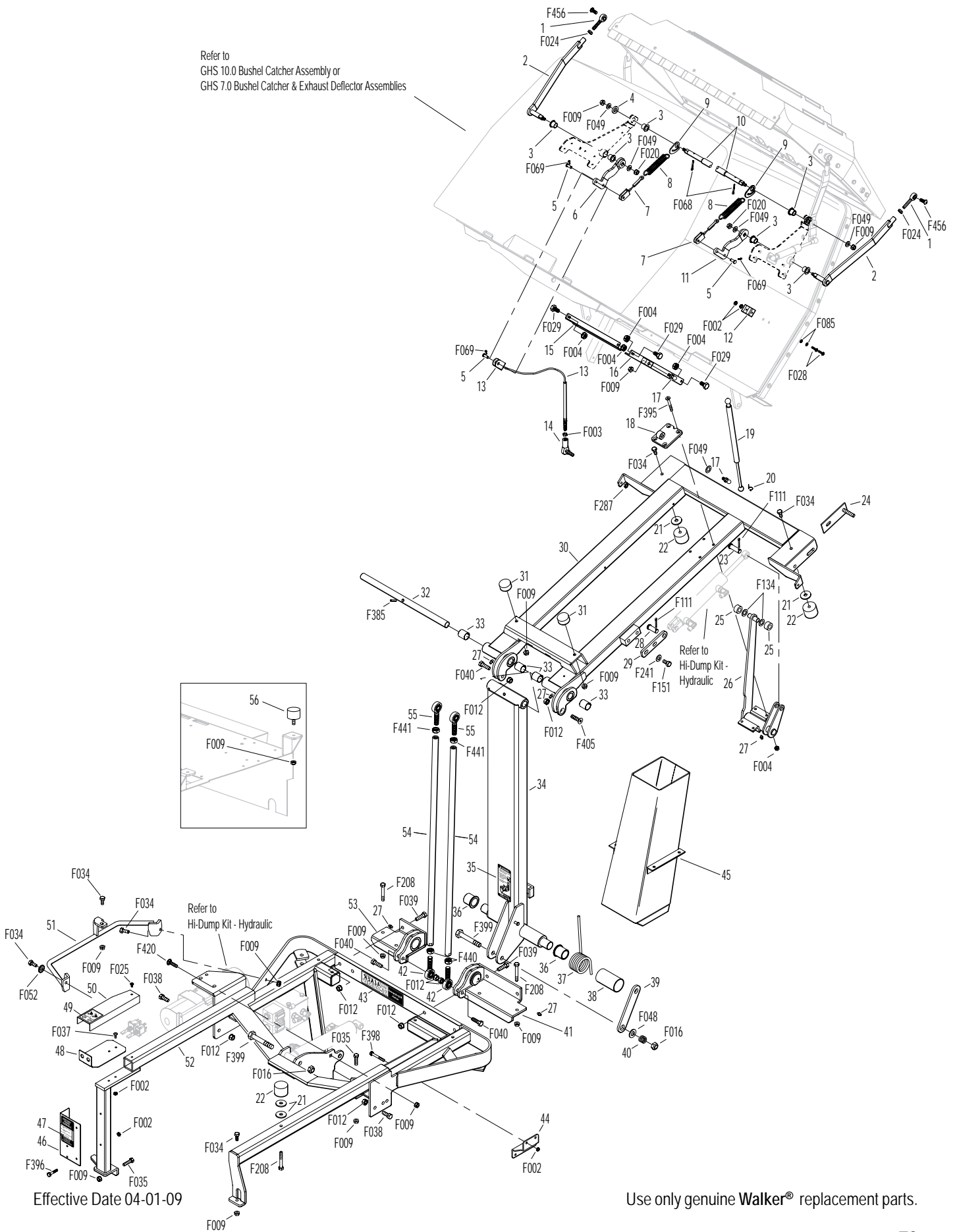
ITEM NO.	PART NO.	DESCRIPTION	NO. REQ'D	ITEM NO.	PART NO.	DESCRIPTION	NO. REQ'D
Hi-Dump Kit				48	8400-15	Switch Mount	1
1	5214-12	Ball Joint (5/16-24)	2	49	8400-9	Decal, Hi-Dump Operation	1
2	8607-10	Lower Arm, Power Dump	2	50	8400-14	Switch Cover (Includes Item # 49)	1
3	7620-3	Pivot Bushing (1/2 x 9/16)	6	51	8403-18	Pump Guard	1
4	5103-7	Outside Torsion Bushing	2	52	8400-1	Bumper/Hi-Dump Mount (Includes Item # 43)	1
5	7523-2	Clevis Pin W/Hole (1/4 x 5/8)	4	53	8400-2	Rear Pivot, RH (Includes Items # 27 & 36)	1
6	8623-6	Inner Power Dump Arm, RH	1	54	8402-8	Control Lift Rod	2
7	8623-3	Extension Spring Cable	2	55	5214-11	Ball Joint (1/2-20LH) Hi Strength	2
8	5221-2	Extension Spring (3/4 x 3-1/2")	2	56	7847	Rubber Bumper (1.5 OD x 1.0)	1
9	8623-5	Torsion Spring Hook	2	Fasteners			
10	8608-9	Torsion Bar	1	F002	10-24 Keps Nut	10	
11	8623-7	Inner Power Dump Arm, LH	1	F003	1/4-28 Hex Nut	2	
12	7620-6	Cable Guide	2	F004	1/4-20 Keps Nut	8	
13	8623-2	Power Dump Cable, 10.0	2	F009	5/16-18 Whiz Locknut	16	
14	5552	Ball Joint (1/4-28)	2	F012	3/8-16 Keps Nut	12	
15	7628-1	Channel Angle, RH	1	F016	1/2-13 Self-Locking Nut	2	
16	8404-4	Channel Angle/Hi-Dump, LH	1	F020	5/16-18 ESNA Nut	2	
17	7146	13mm Ball Stud	2	F024	5/16-24 Jam Nut	2	
18	8402-3	Backup Plate	1	F025	10-24 x 3/8 PPHMS	1	
19	7145	Gas Spring Assembly (Includes Items # 17 & 20)	1	F028	10-24 x 3/4 PPHMS	4	
20	7147	Spring Clip	2	F029	1/4-20 x 1/2 Hex Bolt	4	
21	5841	Retainer Washer (3/8 x 1-1/4)	4	F034	5/16-18 x 3/4 Hex Bolt	6	
22	8845	Rubber Bumper (30mm OD x 40mm) 5/16-18 Female	3	F035	5/16-18 x 1-1/4 Hex Bolt	2	
23	8404-6	Clevis Pin (1/2 x 1-1/2)	1	F037	10-24 x 5/8 PTH Screw	2	
24	8402-6	Catcher Pivot Plate, Hi-Dump	2	F038	3/8-16 x 1 Hex Bolt	4	
25	7620-9	Roller Wheel	2	F039	3/8-16 x 1-1/4 Hex Bolt	4	
26	8402-2	Catcher Pivot Arm (Includes Item # 27)	1	F040	3/8-16 x 1-1/2 Hex Bolt	3	
27	5830	Grease Fitting	5	F048	1/2 SAE Washer	1	
28	8404-5	Clevis Pin (1/2 x 1-1/4)	1	F049	5/16 SAE Washer	5	
29	8402-4	Upper Cylinder Mount Arm	1	F052	5/16 Ext. Star Lock Washer	1	
30	8402-1	Catcher Frame/Hi-Dump (Includes Items # 27 & 33)	1	F068	1/8 x 1 Cotter Pin	2	
31	7845	Rubber Bumper (1.375 x .63)	2	F069	3/32 x 1/2 Cotter Pin	4	
32	8401-4	Upper Pivot Shaft	1	F085	3/16 Rivet Backup Washer	4	
33	8201-3	Fiberglide Bearing	4	F111	1/8 x 3/4 Cotter Pin	2	
34	8401-5	Pivot Arm (Includes Item # 35)	1	F134	AN960816L Washer	2	
35	8401-9	Decal, Safety Lockout Arm	1	F151	3/8-16 x 7/8 Hex Bolt	2	
36	5683	Pivot Bearing	2	F208	5/16-18 x 2-1/4 Hex Bolt	5	
37	8401-1	Torsion Spring (1-1/2)	1	F241	.375 x .875 x .10 Washer	2	
38	8401-6	Spring Bushing	1	F287	1/4-28 Keps Nut	2	
39	8401-3	Safety Lockout Arm	1	F385	1/4 x 1-1/4 Roll Pin	1	
40	8401-2	Safety Lockout Spring	1	F395	1/4-20 x 2-1/4 FHA Screw, SS	4	
41	8400-3	Rear Pivot, LH (Includes Items # 27 & 36)	1	F396	10-24 x 1-1/4 PPH Bolt	2	
42	5214-10	Ball Joint (1/2-20) Hi Strength	2	F398	1/4-20 x 2 Hex Bolt	2*	
43	8400-8	Decal, Hi-Dump	1	F399	1/2-13 x 3-1/4 Hex Bolt	2	
44	8404-7	Adapter Bracket, MTL	1*	F405	3/8-16 x 1-1/2 FHA Screw, SS	1	
45	8430-1	Body Chute, Hi-Dump (10.5)	1	F420	5/16-18 x 1-1/4 Carriage Bolt	1	
46	8400-10	Auxiliary Power Terminal Plate (Includes Item # 47)	1	F440	1/2-20 Jam Nut RH	2	
47	8400-7	Decal, Electrical Jumper Warning	1	F441	1/2-20 Jam Nut/Left Hand	2	
				F456	5/16-18 x 3/4 SBH Cap Screw, SS	2	
				* Model MTL Only			

Use only genuine Walker® replacement parts.

Effective Date 04-01-09

HI-DUMP KIT

Refer to
GHS 10.0 Bushel Catcher Assembly or
GHS 7.0 Bushel Catcher & Exhaust Deflector Assemblies



Effective Date 04-01-09

Use only genuine Walker® replacement parts.

HI-DUMP KIT - HYDRAULIC

ITEM NO.	PART NO.	DESCRIPTION	NO. REQ'D	ITEM NO.	PART NO.	DESCRIPTION	NO. REQ'D
Hi-Dump Kit				Component Replacement Part			
1	5833	Cable Clamp (1/4)	3	35	8403-11	Counterbalance Valve	1
2	8440-1	Catcher Adapter Harness	1	36	8403-8	Directional Valve	2
3	8404	Dump Cylinder	1	37	8403-9	Coil W/Connectors	2
4	8403-7	90° Fitting	12	38	8403-1	Reservoir / Power Unit	1
5	5975-3	Cable Tie (50# x 7")	1	Fasteners			
6	8403-5	Hydraulic Hose, Catcher Box Dump (67.5)	1	F002	10-24 Keps Nut		7
7	8403-6	Hydraulic Hose, Catcher Box Dump (73.5)	1	F004	1/4-20 Keps Nut		2
8	5835	Cable Clamp (3/4)	6	F025	10-24 x 3/8 PPHMS		11
9	8403-3	Hydraulic Hose, Lift / Rear (11.5)	1	F026	10-24 x 1/2 PPHMS		1
10	8404-1	Lift Cylinder	1	F027	10-24 x 5/8 PPHMS		4
11	8403-2	Hydraulic Hose, Lift / Front (16)	1	F106	3/8-16 x 5/8 Hex Bolt		2
12	5975-7	Cable Tie (50# x 11")	2	F185	1/4 Int. Star Lock Washer, SS		1
13	8404-2	Hydraulic Valve Box	1	F232	10-32 Keps Nut		6
14	8403-4	Hydraulic Hose, Valve to Pump (17-1/2) A / Up	1	F397	1/4-20 x 3-3/8 Hex Bolt		2
15	8403-20	Hydraulic Hose, Valve to Pump (17-1/2) B / Down	1	F418	10-24 x 7/8 SHC Screw, GR5 (SS)		2
16	5975-1	Cable Tie (18# x 3-3/4")	11	* Service Part Only			
17	8403-19	Hydraulic Power Unit	1				
	8403-22	Motor Replacement	*				
18	6942	Relay Switch 30/40AMP(NC) (Includes Items # 31 & 32)	1				
19	8440-6	Relay Harness	1				
20	8440-7	Battery/Relay Harness	1				
21	5832	Cable Clamp (1/2)	1				
22	8401-7	Junction Block (10-32)	2				
23	7941	Circuit Breaker 40 Amp (Auto Reset/Sealed)	1				
24	8404-9	Plastic Cover, Black	1				
25	8404-8	Plastic Cover, Red	1				
26	6623-3	Toggle Switch / SP / DT	1				
27	6623-2	Toggle Switch / DP / DT	1				
28	8440-3	Jumper Wire	1				
29	8440-5	Wire Harness / Hi-Dump	1				
30	7833	Cable Clamp (7/8 x 1/4)	1				
31	6941-6	Relay Switch 30/40 Amp	*				
32	6941-7	Relay Mount	*				
33	8553	Splice Tap (18-14 Ga.)	1				
34	8440-10	Wire Assembly (3")	1				

Use only genuine Walker® replacement parts.

Effective Date 04-01-09

HI-DUMP KIT - HYDRAULIC

